

## NOP4

The Össur NOP4 is a slim and lightweight monocentric knee unit, which has a weight activated stance control mechanism, with pneumatic swing phase control.

This popular design is easily adjusted to allow a very positive brake, while still allowing a smooth transition into swing.

### Features and Benefits

- Compact and lightweight
- Monocentric construction with finely adjustable stance stability brake
- Angular alignment adjustment
- Smooth transition into a controlled adjustable swing phase
- Pneumatic swing phase with independent adjustment of flexion and extension, allowing the unit to be set up to suit a range of individual walking speeds
- High knee flexion angle of 145°



Weight activated brake



High knee flexion angle 145°



Pneumatic swing phase control



### Ordering Information

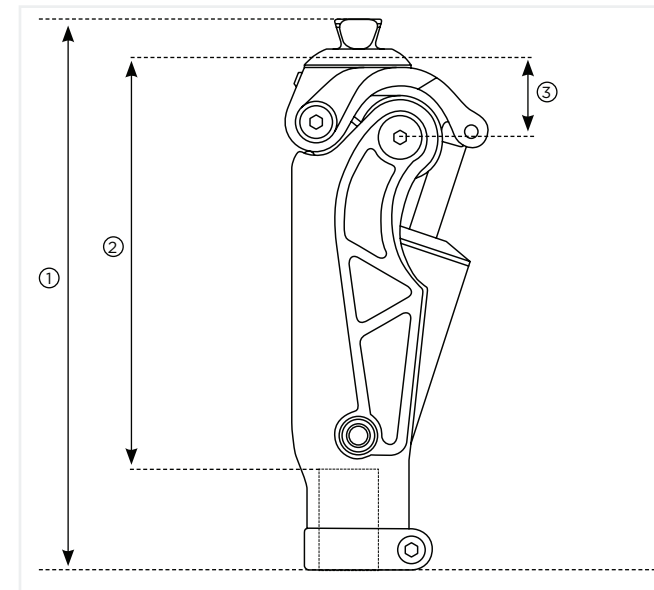
Trial Period - There is no trial period on this knee, however please contact Customer Services or a Steeper Product Manager to enquire.

#### Mobility Class & Weight Limit



Part Number	Description
NOP4	Pneumatic, monocentric knee with weight activated brake.

### Technical Information



Material	Aluminium
Amputation Level	Transfemoral
Total Fitted Height (1)	Approx 198mm
Effective Module Height (2)	Approx 146mm
Fitted Height (3)	Approx 26mm
Weight	Approx 680g
Proximal Connector	Pyramid
Distal Connector	Integral 30mm tube receiver
Swing Phase	Pneumatic
Stance Phase	Load-dependent brake system
Axes	Monocentric
Flexion Angle without Socket	Approx 145°
Maximum Patient Weight	100kg
Activity Level	2, (3)
Warranty	3 years

### Spare Parts Ordering Information



Spare Knee Cover  
N1970762