

# Freedom Shockwave



# Feet - PROTEOR - Freedom Shockwave

The Freedom ShockWave™ incorporates a Spherical Shock Unit (SSU) into the classic Freedom foot design with its proprietary EnduraCore® hybrid composite technology. The SSU provides both vertical shock absorption and transverse rotation giving everyday and active K3/K4 patients a more natural and comfortable experience.

**Water-resistant\***

\*Water-resistant: Safe for contact with water and occasional submersion. Rinse immediately with fresh water and dry following exposure to water, particularly salt or chlorinated.

## Features and Benefits

- Spherical Shock Unit (SSU) provides ultimate vertical shock absorption at heel strike and also an transverse rotation of +/-15 degrees easing stress and pressure on the residual limb
- Full-length heel initiates plantar flexion at heel strike for better ground compliance and maximized energy return
- Split keel and heel delivers added motion improving stability, comfort, and confidence on various terrains
- EnduraCore® technology provides ideal strength, flexibility, durability, and high energy return for more natural motion and less fatigue during the day

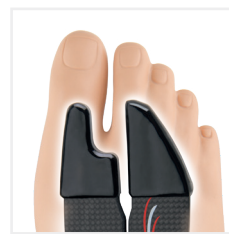


Split keel and heel for increased inversion/eversion



Spherical Shock Unit (SSU)

## Cosmetics



Sandal toe: sizes 23-28cm only



## Ordering Information

Trial Period - Please speak to Customer Services or a Steeper Product Manager to organise a trial.

**Note:** Once the definitive foot has been purchased there is no trial period.

### Impact Level Descriptions

**Moderate:** Daily activities include up to unlimited walking, climbing stairs and occasional moderate lifting (this does not include running).

**High:** Daily activities include fast walking, jogging, running, lifting heavy objects and/or recreational sports.

### Ordering Example - NF20523L

Part Number	Category	Size (23-30)	Left/Right
NF20	5	23	L

### Sandal Toe Ordering Example - NF20523SL

Part Number	Category	Size	Sandal Toe	Left/Right
NF20	5	23	S	L

Includes foot shell, heel bumper kit and Spectra® Sock

All foot shells are available in Light, Medium and Dark colours

### Category Selection

Weight (kg)	Impact Level		
	Low	Mod	High
44-52	1	1	2
53-59	1	2	3
60-68	2	3	4
69-77	3	4	5
78-88	4	5	6
89-100	5	6	7
101-116	6	7	8
117-130	7	8	-
131-147	8	-	-

### Toe Configuration

Code	Description
Leave Blank	Regular
S	Sandal Toe**

\*\*Sandal toe only available in sizes 23-28cm

## Product Specification

Weight Limit	Impact Level	Activity Level	Weight of Unit
147kg		K3/K4	978g Size 26cm
Sizes (cm)	Warranty		
23-30	3 years Foot shell - 6 months		

## Spare Parts Ordering Information

Part Number	Foot Shell Type
NFTC-3F-0 ▲ ● 4-R ■	Regular without CAP
NFTC-2F-1 ▲ ● 4-S ■	Sandal Toe without CAP

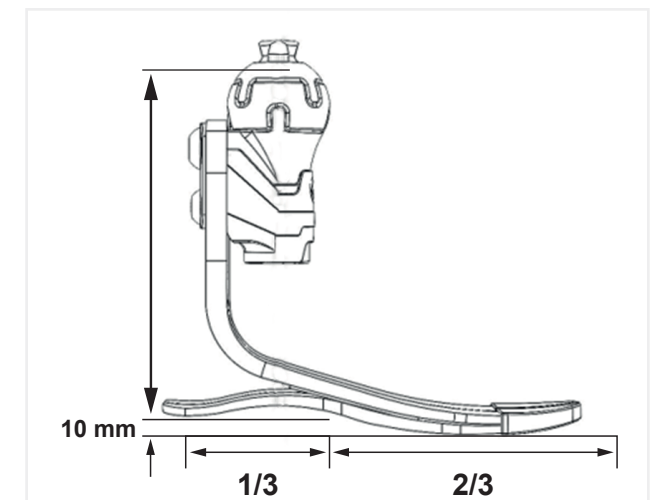
### Foot Shell Ordering Guide

- ▲ = Size in cm (23-30 = Regular, 23-28 = Sandal Toe)
- = Skin Tone (L = Light, M = Medium, D = Dark)
- = Side (R = Right, L = Left)

Spectra® Sock	Colour	Size (cm)	Sock Size (cm)
NSO-NPS-20030-00	B	22-25	30
NSO-NPS-20035-00	B	26-28	35
NSO-NPS-20040-00	B	29-31	40

Colour: B = Black

Bumper Kit	Size
NKIT-00-11463	23-25 cm
NKIT-00-11464	26-28 cm
NKIT-00-11465	29-30 cm



Build Height and Weight		
Size (cm)	Build Height (cm)	Foot inc. Shell
23-25	17.6	897g
26-28	18.9	978g
29-30	20	1131g